

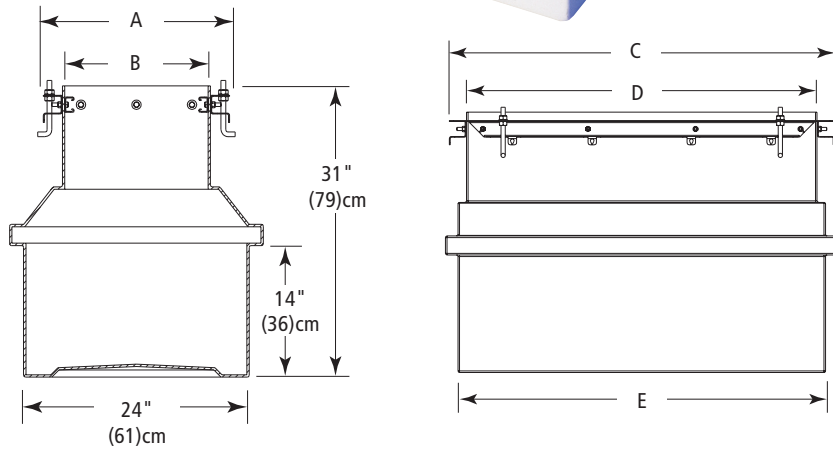
One-Piece Polyethylene Dispenser Sumps

FlexWorks Dispenser Sumps are installed beneath fuel dispensers to provide access to and secondary containment of dispenser plumbing, emergency shear valves and underground piping connections. Stabilizer Bar Kits are installed in FlexWorks Dispenser Sumps to provide reliable support for boss-mounted emergency shear valves.



Features & Benefits:

- ◆ **Multiple Models** – ensure a custom fit.
- ◆ **Structural Reinforcing on Large MPD Models** – prevents sump deformation from backfill and high water table forces.
- ◆ **Light Color** – preserves rigidity in sunlight before backfill and provides maximum visibility after installation.
- ◆ **Full Perimeter Liquid Collection Channel** – facilitates quick leak detection and allows flexibility in locating leak sensors.
- ◆ **Integral Rain Lip** – protrudes into the dispenser frame to prevent surface water entry.
- ◆ **Easy Installation** – field height adjustment capability and large pipe entry area ensures installation flexibility.
- ◆ **Many Are Available in a Conduitless Model** – eliminates conduit entry fittings and prevents a notorious leak point inside dispenser sumps.



Ordering Specifications* - One-Piece Polyethylene Dispenser Sumps

Model #	Conduitless Frame	A		B		C		D		E		Weight	
		in.	cm	in.	cm	in.	cm	in.	cm	in.	cm	lbs.	kg.
DS-1036	No	14	36	10	25	40	102	36	91	38	97	65	65
DS-1117F**	Yes	14.5	37	10.5	27	20.5	52	16.5	42	18.5	47	32	15
DS-1120	Yes	15	38	11	28	24	61	20	51	25	64	33	15
DS-1123	Yes	15	38	11	28	27	69	23	58	25	64	33	15
DS-1123B	Yes	18.5	47	11	28	27	69	23	58	25	64	33	15
DS-1123F **	Yes	15	38	11	28	27	69	23	58	25	64	33	15
DS-1229	No	15.5	39	11.5	29	33	84	29	74	31	79	49	22
DS-1242	Yes	15.5	38	11.5	29	46	117	42	107	44	112	84	38
DS-1543A	Yes	19	48	15	38	43	109	39	99	41	104	84	38
DS-1630	No	20	51	16	41	34	86	30	76	32	81	52	23
DS-1630B	No	20	51	16	41	34	86	30	76	32	81	52	23
DS-1642	Yes	20	51	16	41	46	117	42	107	44	112	84	38
DS-1836	Yes	21.5	55	17.5	44	40.5	103	36.5	93	39	99	70	32
DS-1928	Yes	18	46	14.8	38	30	76	26	66	28.5	72	50	23
DS-1741	No	21	53	17	43	44.7	114	40.6	103	42.6	108	80	36

* Refer to FlexWorks Dispenser Sump Selection Chart to select sumps for particular dispensers (See pages 38 - 39 of this catalog)

** Flush mount model supplied without rain lip due to dispenser frame clearance limitations; Frame gasket included. Anchor bolts provided, Stabilizer Bar Kits ordered separately; One kit required for each emergency and vapor shear valve.