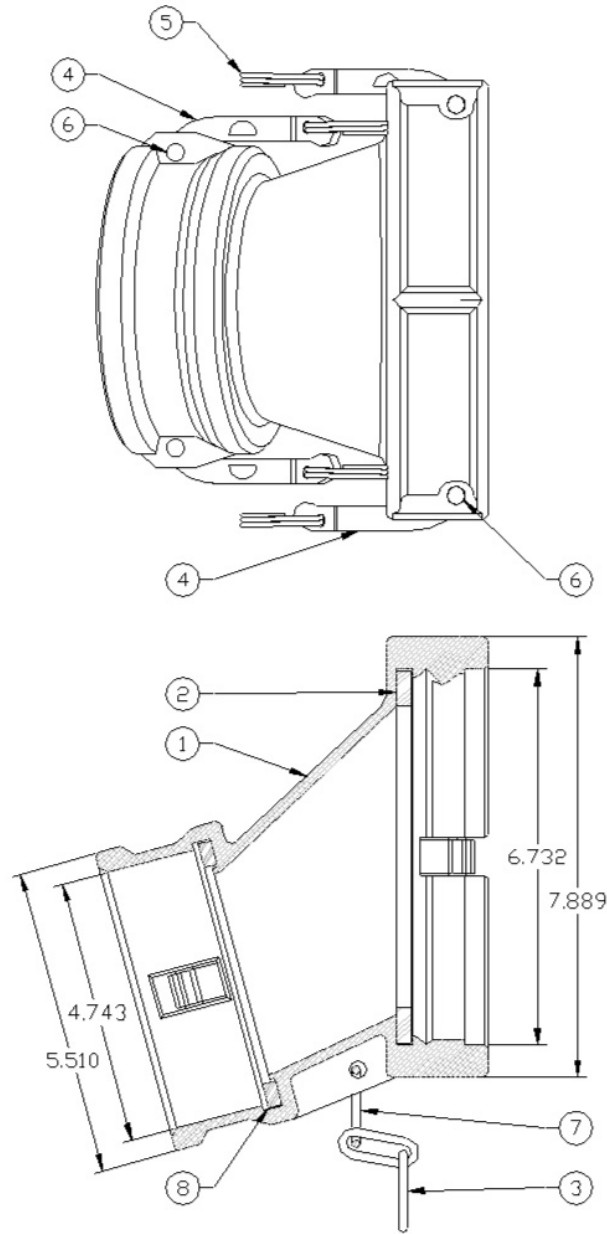


871B-AL40 4" Gravity Coupler

01-02-005RP



ITEM	PART NUMBER	DESCRIPTION	QTY
1	E00222A	BODY, MACHINED	1
2	H08347M	GASKET, BUNA-N	1
2	H20462M	GASKET, VITON	1
3	H20325M	CHAIN	1
4	12629 ¹	CAM ARM	4
5	H20050M ¹	FINGER RING	4

ITEM	PART NUMBER	DESCRIPTION	QTY
6	H20144M ¹	GROOVE PIN	4
7	H08328M	CONNECTOR RING	1
8	H20547M	4" GASKET, BUNA-N	1
8	H00976M	4" GASKET, VITON	1
REPAIR KITS			
871-ARM KIT		CAM LEVER REPAIR KIT	

1 - Included in 871-ARM KIT (Two Kits will be needed to repair cam arms on this assembly)



www.civacon.com ◆ 9393 Princeton-Glendale Road ◆ Hamilton, Ohio, USA 45011 ◆ Phone: (800) 422-2525 ◆ Fax: (800) 421-3297

NOTE: All information subject to engineering and/or other changes. All trade names are copyrighted. Patents Pending. ©2018 Civacon. ©2018 Delaware Capital Formation, Inc. All Rights Reserved. DOVER and the DOVER logo are registered trademarks of Delaware Capital Formation, Inc., a wholly-owned subsidiary of Dover Corporation.

Rev D Apr 2020

DEFINING | WHAT'S NEXT