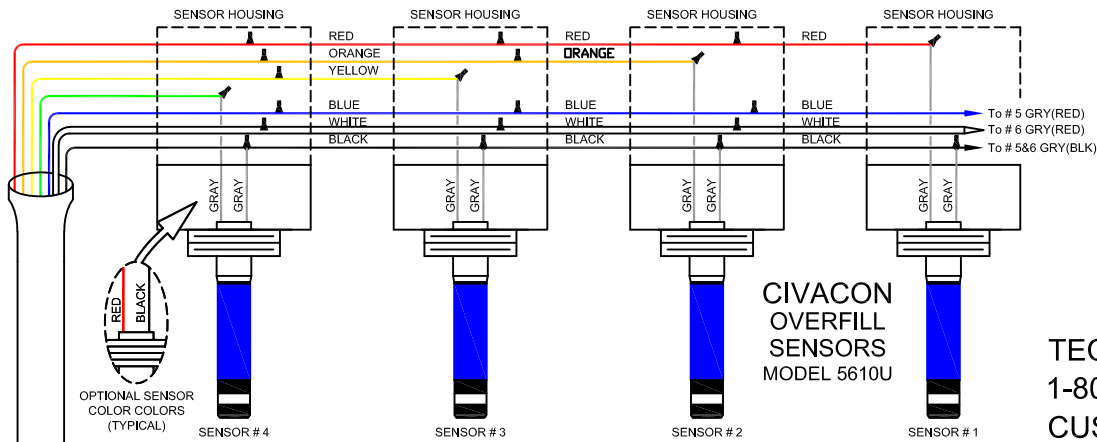


ROM III SYSTEM



TECHNICAL SUPPORT:
 1-800-524-8226
 CUSTOMER SVC:
 1-800-560-6601



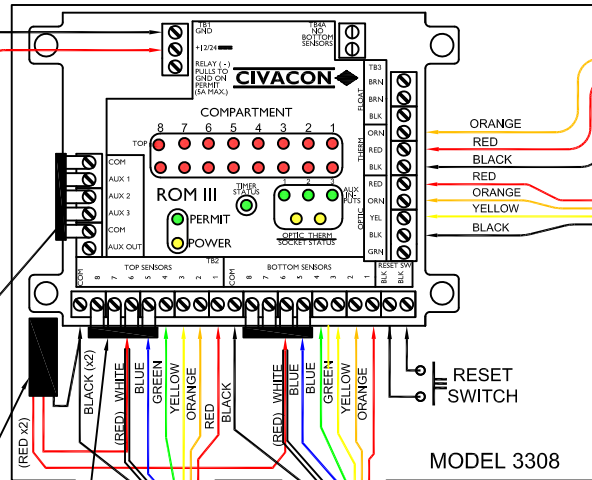
TO TRUCK BATTERY POWER

NEGATIVE (-)
 12 VOLTS
 POSITIVE (+)

CUSTOMER SUPPLIED OUTSIDE ENCLOSURE

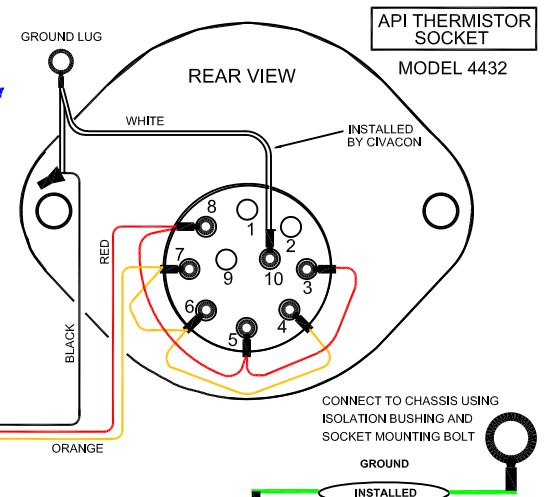
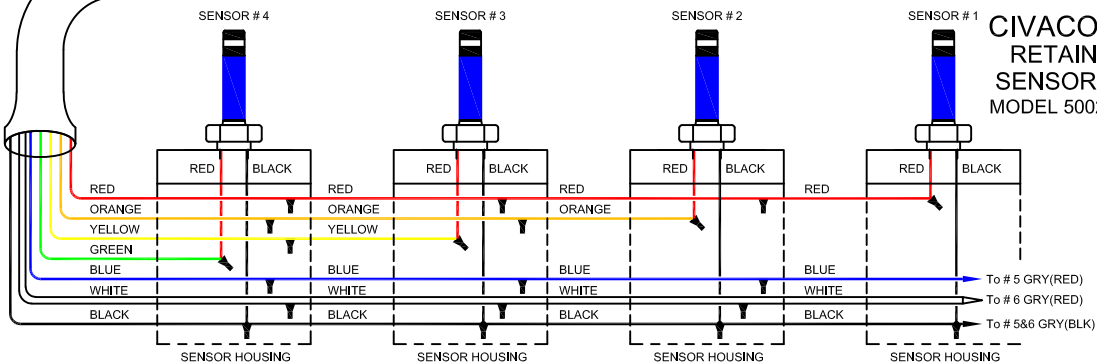
SWITCH 1/2 AMP FUSE

1910A TERMINATOR
 (Remove Jumper Bars for 5, 6 or 7 Comp.
 Wiring & Remove Completely for 8 Comps.)

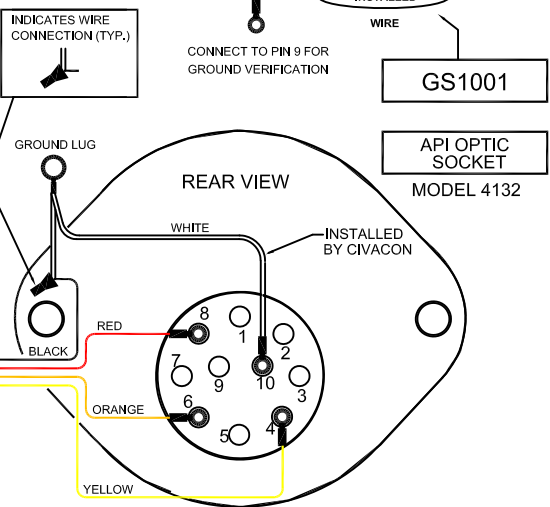


AUXILIARY INPUTS

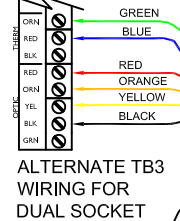
THE AUX. INPUTS ARE FACTORY JUMPERED CLOSED. TO USE THE AUX. INPUTS YOU MUST REMOVE THE JUMPER FOR THAT INPUT (1, 2 OR 3) AND PROVIDE A USER SUPPLIED SWITCH CLOSURE.



CONNECT TO CHASSIS USING ISOLATION BUSHING AND SOCKET MOUNTING BOLT



OR



ALTERNATE TB3 WIRING FOR DUAL SOCKET

