

Pre-Plumbed DSE Dispenser Sump

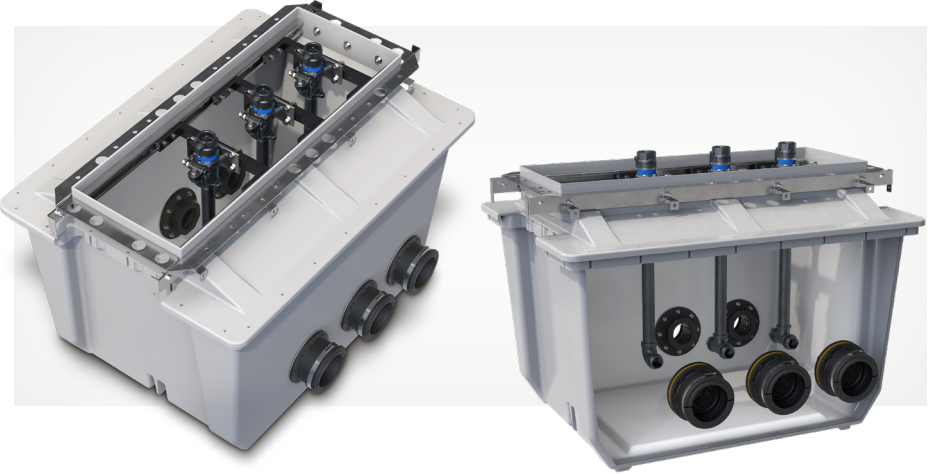
Utilizing the quality and value of the DSE Dispenser Sump, OPW now offers a Pre-Plumbed DSE for customers who wish to save time and costs of installation.

Complete with factory-assembled and tested components, the Pre-Plumbed DSE continues the OPW E-Series tradition of superior design, materials, and affordability. The OPW Loop System® without the “loop”.

All elbows, tees and rigid NPT pipe nipples e-coated for superior protection and performance.

The Pre-Plumbed DSE ships installed with the following items:

- ◆ Tops (Wayne Ovation or Gilbarco Encore)
- ◆ Pipe Entry Fittings
- ◆ Stabilizer Bars
- ◆ OPW 10 Plus Double-Poppet Emergency Shear Valves
- ◆ Flex Connectors or Rigid Risers (NPT Pipe Nipples)
- ◆ Elbows/Tees (DPC or SBC compatible)



Features & Benefits:

- ◆ **Quality Components Factory-Installed** – pre-plumbed dispenser sump provides convenience and installation cost/time savings
- ◆ **Piece-of-Mind Installation** – components are factory installed and tested in a controlled environment eliminating potential costly installation errors in the field
- ◆ **Advanced Composite Technology** – premium construction of a robust fiberglass product with smooth surfaces on both sides of the sump walls and consistent thickness, blend and shape for strong bonds with entry fittings
- ◆ **Customizable** – choose your configuration by dispenser type, entry fittings, traditional or renewable shear valves, flex connector or rigid riser, and pipe coupling type.
- ◆ **Efficient Manufacturing and Fast Lead Times** – provides best-in-class quality and value shipped quickly
- ◆ **Loop System Advantages** – all the features and benefits of the legendary OPW Loop System for jurisdictions that still require piping slope back to the tank

Components

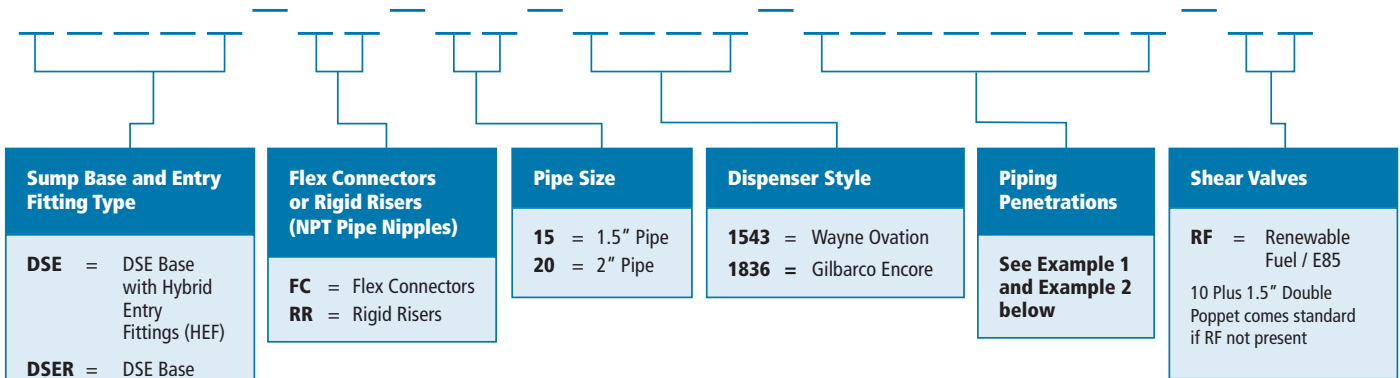
Part Configurations

Base	DSE-BASE			
Tops	DSE-1836	Gilbarco Encore	DSE-1543	Wayne Ovation
Stabilizer Bars	SBK-1800	Gilbarco Encore	SBK-1500	Wayne Ovation
Pipe Entry Fittings	REF-4015	1.5" Rigid Entry Fittings	HEF-4015	1.5" Hybrid Entry Fittings
	REF-4020	2.0" Rigid Entry Fittings	HEF-4020	2.0" Hybrid Entry Fittings
Emergency Shear Valves	10P-0152	10 Plus 1.5" Double Poppet	10P-0152RF*	Renewable Fuel 10 Plus 1.5" Double Poppet
Flex Connectors or Rigid Risers (1.5" x 18")	217817	1.5" NPT Pipe Nipple, 18" length (Rigid Riser)	FC15-SWM18	1.5" Flex Connector Male Swivel x Male, 18" length
Pipe-Coupling Compatibility**	Double Wall Swivel Pipe Couplings (DPC)		Swivel Bolt-On Couplings (SBC)	

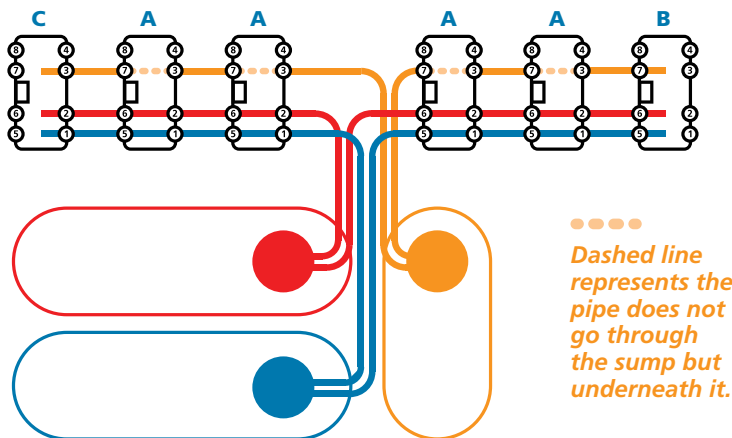
*E85/B100 Applications. All shear valves in the Pre-Plumbed DSE will be RF version if selected.

** DPC & SBCs must be purchased separately. The proper e-coated tees & elbows to be pre-installed based on selection.

Pre-Plumbed DSE Dispenser Sump Ordering Guide



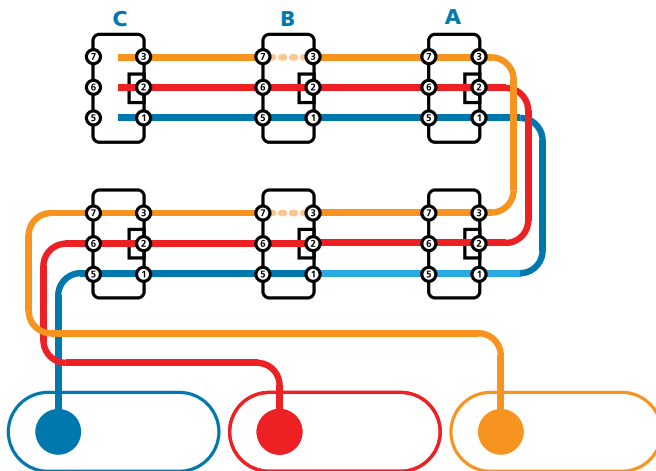
Example 1



Example 1

- DSE-FC-15-1836-1256
 - DSE-FC-15-1836-567
 - DSE-FC-15-1836-123
- Hybrid Entry Fittings (DSE in part number)
 - DPC compatible (No N present in part number)
 - Flex Connectors (FC in part number)
 - 1.5" pipe (15 in part number)
 - Gilbarco Encore dispensers (1836 in part number)
 - The two 3+1 dispensers have different configurations, B & C

Example 2



Example 2

- DSEN_R-RR-15-1543-123567
 - DSEN_R-RR-15-1543-1256
 - DSEN_R-RR-15-1543-123
- Rigid Entry Fittings
 - SBC compatible NPT tees/elbows (N present in part number)
 - Rigid Risers (RR in part number)
 - 1.5" pipe (15 in part number)
 - Wayne Ovation dispensers (1543 in part number)
 - The product lines cross in order to keep the dispenser "Side A" consistent